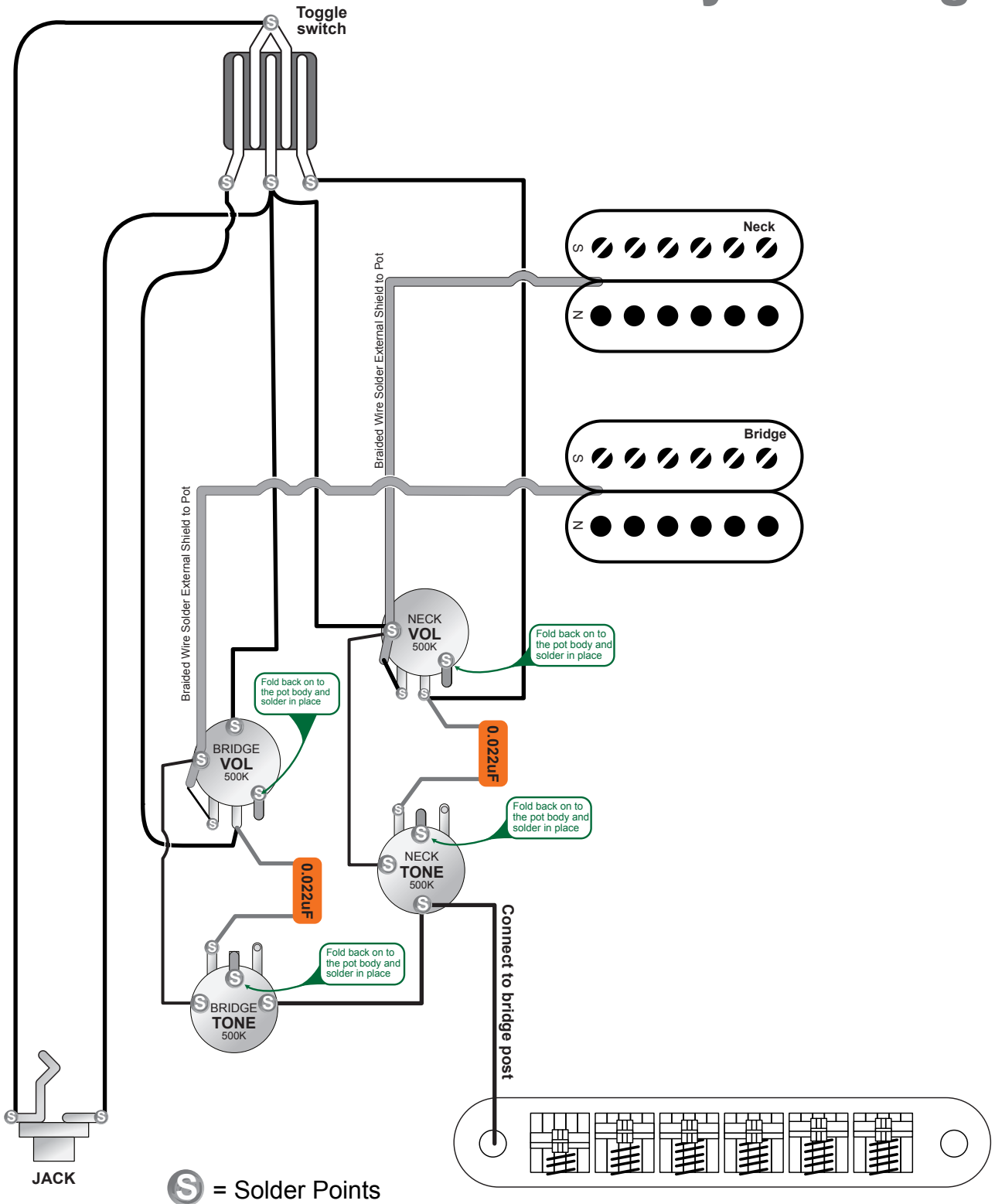


50's Style Wiring



Humbucker Pickups wires vary and you may not have a braided core, The hot wire often red would go to the pins on the potentiometers and the ground wires go to the body of the potentiometers as the earth. If you are not sure, check you Humbuckers details